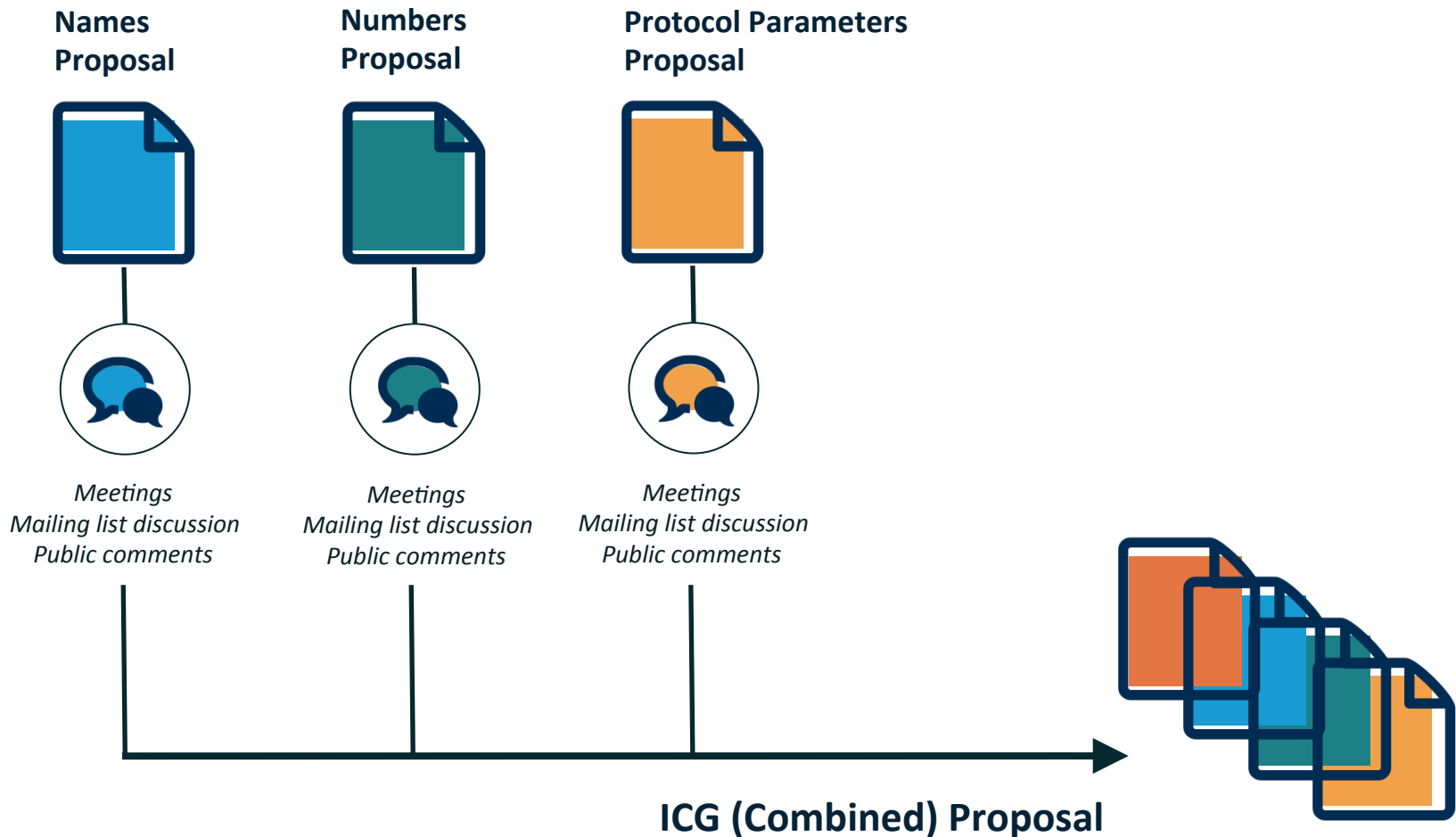




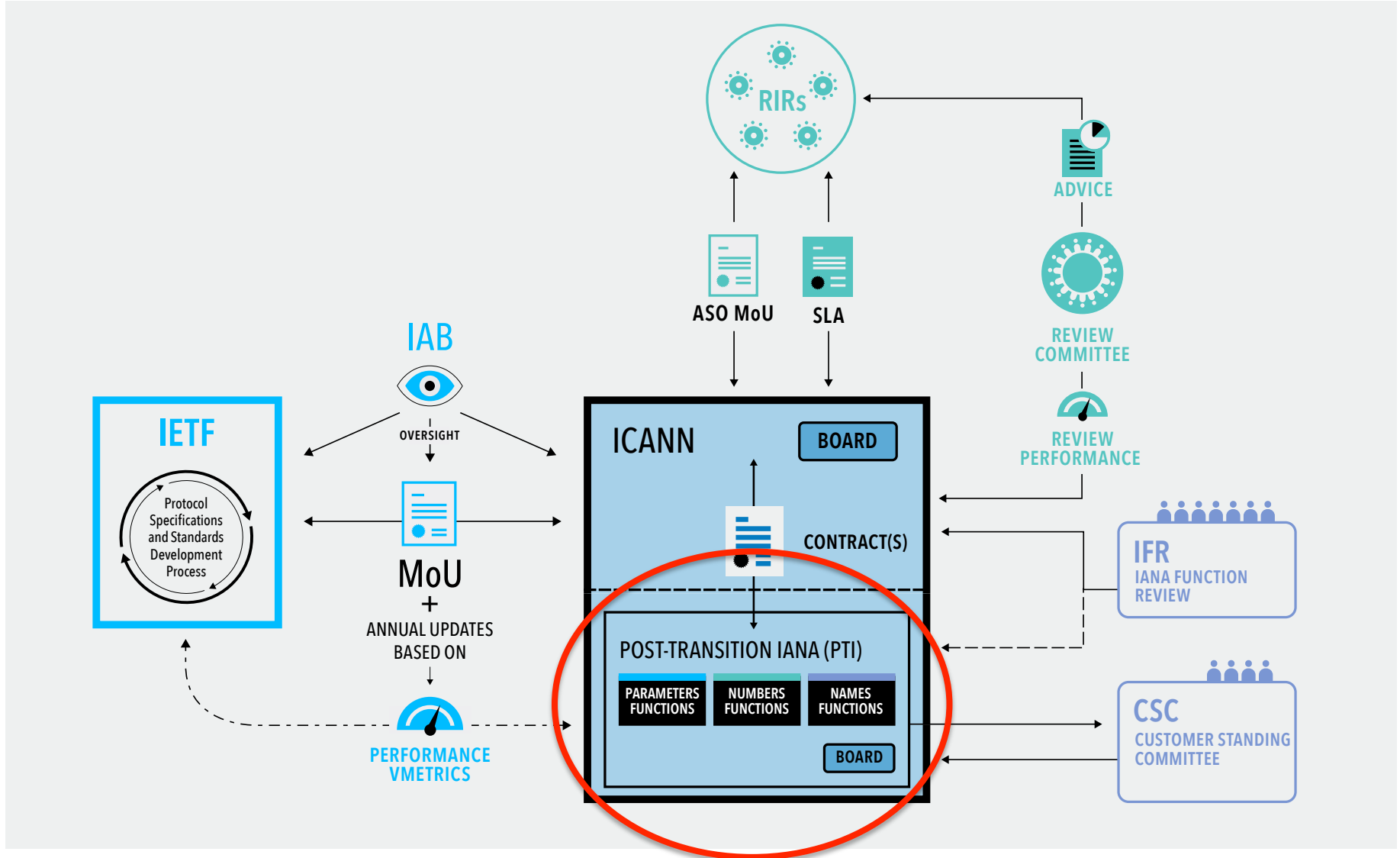
Introduction to PTI

Elise Gerich | RIPE Meeting | October 2016

Request for Transition Proposal Structure



Combined Proposal Overview



PTI Overview

Public Technical Identifiers (PTI) is an affiliate of ICANN that is responsible for performing the IANA Services on behalf of ICANN. PTI does not set policy – it implements agreed policies and principles developed by the ICANN multistakeholder community.

Legal

- Nonprofit public benefit corporation
- ICANN is sole Member
- Domiciled in California
- 501(c)(3) tax status

Organization

- Annual budget developed in consultation with the community
- 4-year strategic plan updated annually
- Annual independent financial audit of PTI financials

Operations

- Perform name, protocol parameters, and number services via contract and subcontract with ICANN
- All resources required to perform services will be provided by ICANN

Board

- 5 directors appointed by ICANN
- 3 from ICANN/PTI staff
- 2 elected by ICANN NomCom process

Officers

- President – Elise Gerich – appointed by ICANN Board
- Treasurer – Becky Nash - Appointed by PTI Board
- Secretary – Samantha Eisner - by PTI Board

Staff

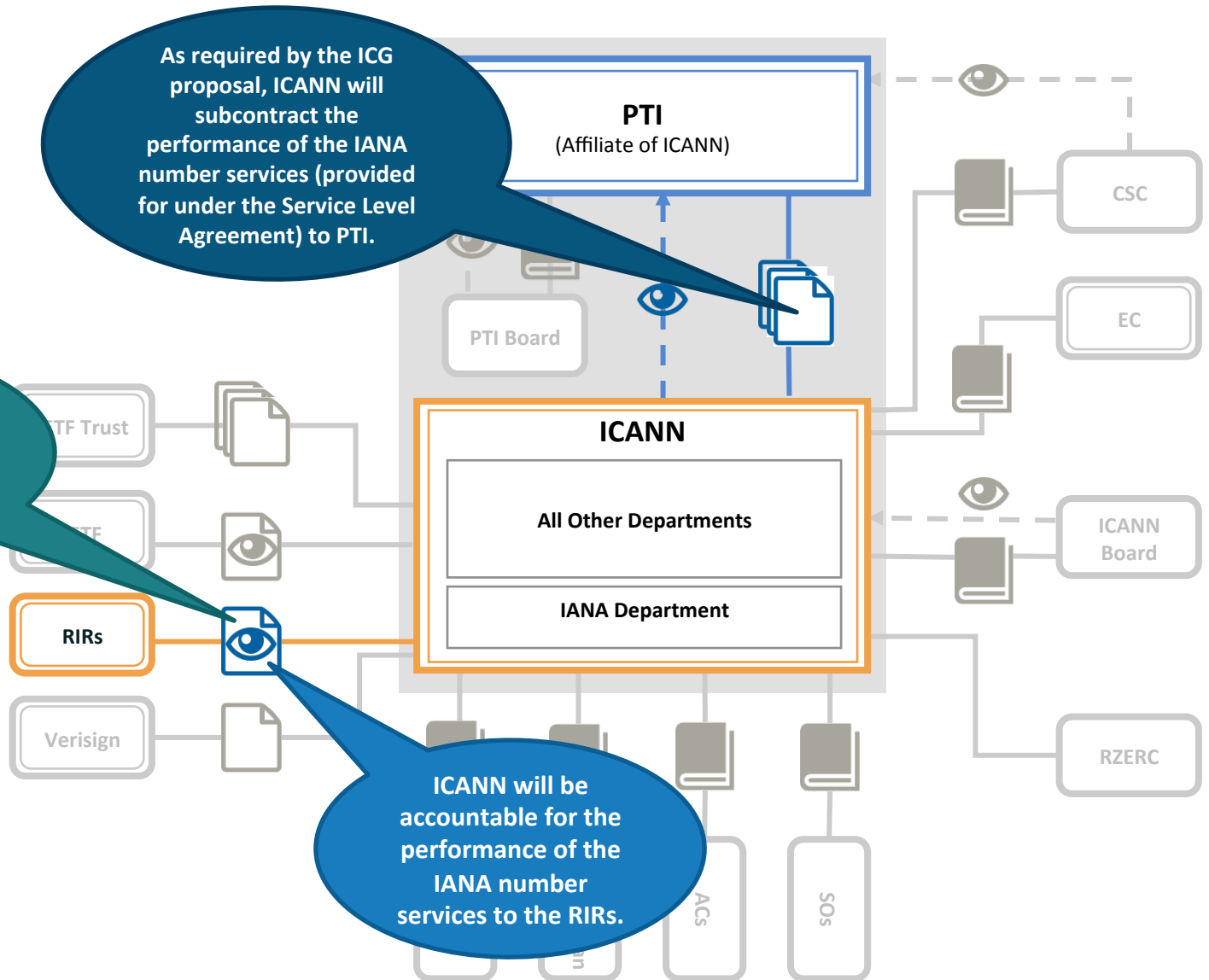
- No change in personnel performing the IANA functions
- Existing IANA department staff seconded from ICANN to PTI

Relationship between RIRs and PTI

As required by the ICG proposal, ICANN will subcontract the performance of the IANA number services (provided for under the Service Level Agreement) to PTI.

ICANN entered into a Service Level Agreement with the RIRs for the performance of the IANA number services.

ICANN will be accountable for the performance of the IANA number services to the RIRs.



What are PTI's outputs to the RIR community?



Standard RIR Reports

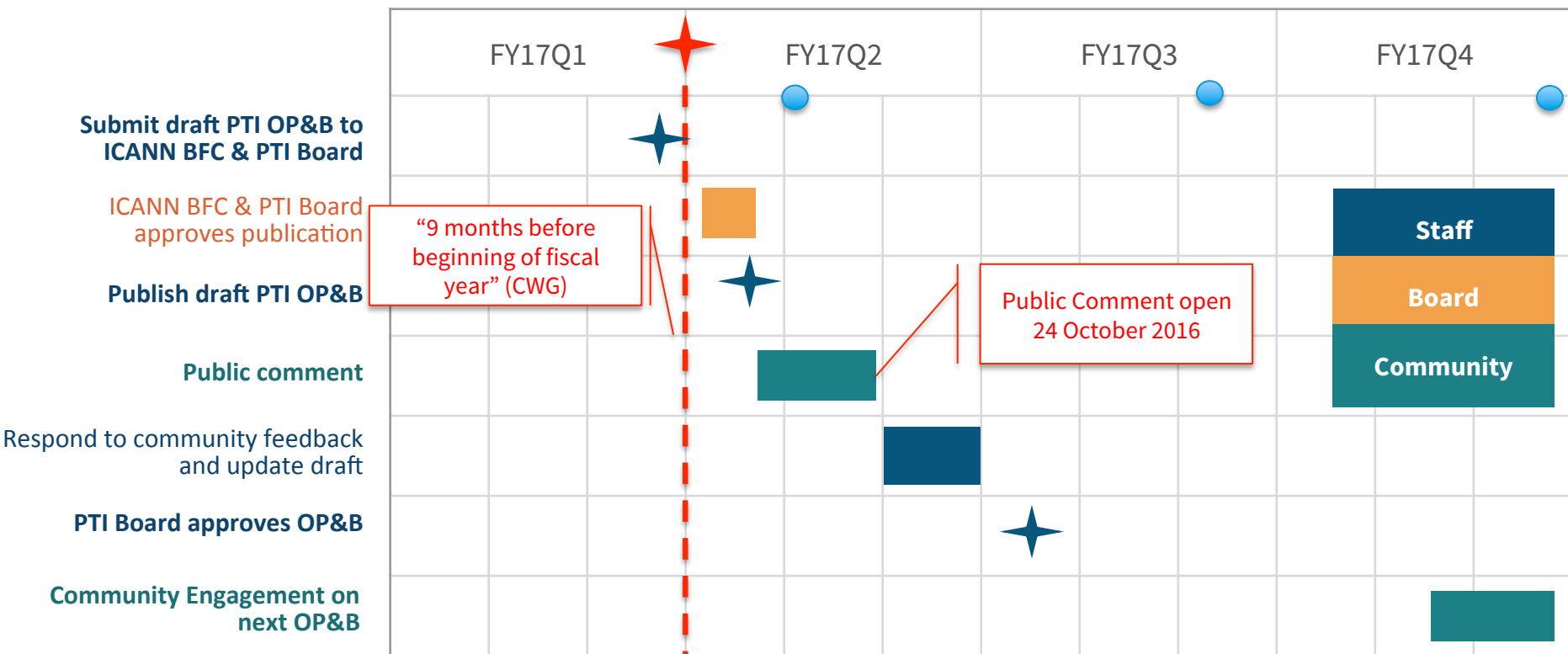


Allocation of numbers



Monthly reports posted on iana.org

Draft FY18 PTI OP&B Planning Calendar



~\$10m funding is planned for IANA Services in FY18

~\$700,000 growth on FY17, based on:

- Extra staffing
- Oversight activities, such as the PTI Board & other committees
- Root Zone Maintainer Agreement

Who do I contact after the transition?

I have a question about the IANA services, who do I contact?

PTI is the entity that performs the IANA services on behalf of ICANN.



The operational reports of the IANA services, including deliverables and information on the IANA functions will remain on iana.org.

Operational questions can still be sent to:

- iana@iana.org

PTI staff will receive emails sent to either an ICANN or IANA email address:

- elise.gerich@icann.org or elise.gerich@iana.org



IANA Services Update

Elise Gerich | RIPE Meeting | October 2016

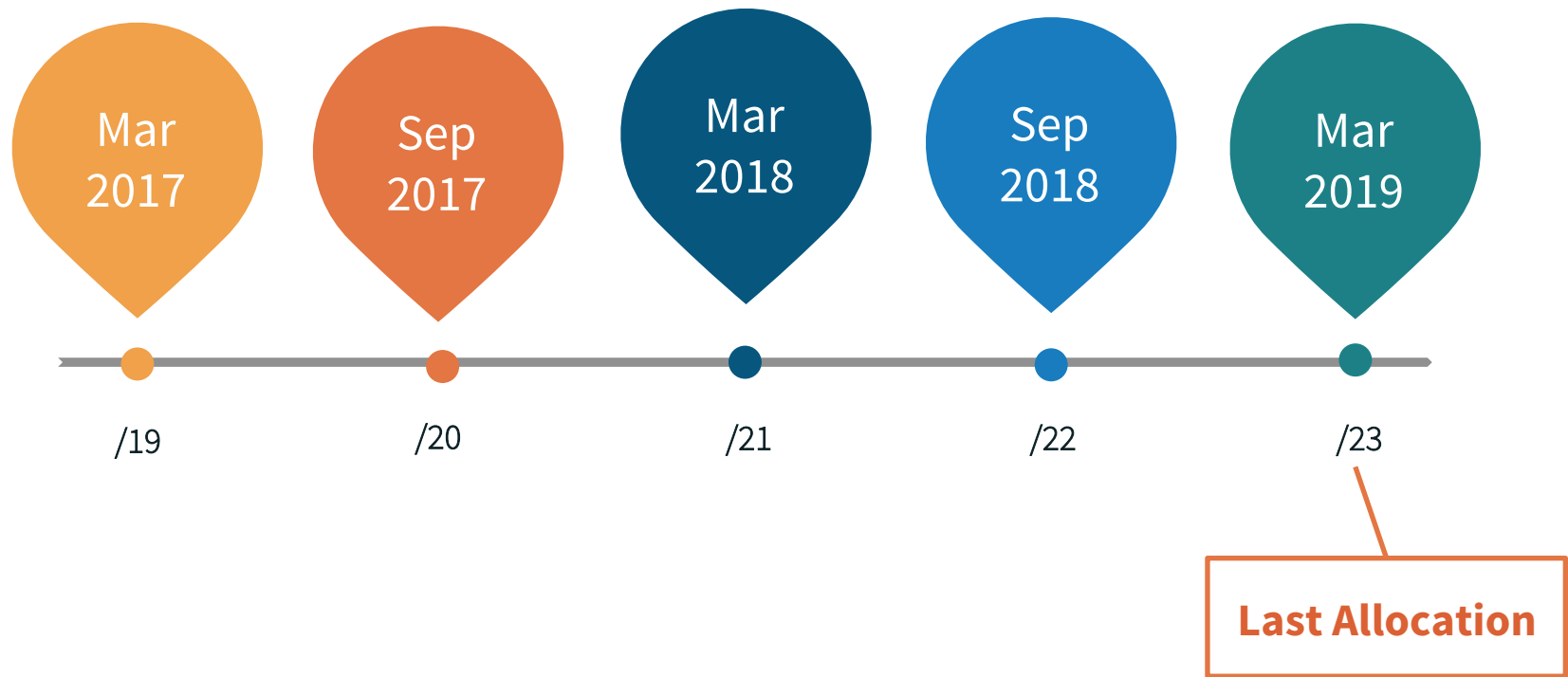
IPv4 Recovered Pool Allocation

- ⦿ 1 September 2016: Each RIR received the **equivalent of a /18**
- ⦿ Next allocation will take place 1 March 2017
- ⦿ Registry:
<http://www.iana.org/assignments/ipv4-recovered-address-space>
- ⦿ Allocation tool:
<https://github.com/icann/ipv4-recovery-algorithm>
- ⦿ Global policy:
<https://www.icann.org/resources/pages/allocation-ipv4-post-exhaustion-2012-05-08-en>

IPv4 Recovered Pool Allocation – 1 Sept 2016

Allocation date	RIR	Allocated addresses
9/1/16	AFRINIC	160.19.112.0 - 160.19.143.255
9/1/16	AFRINIC	160.19.192.0 - 160.19.199.255
9/1/16	AFRINIC	160.19.232.0 - 160.19.239.255
9/1/16	AFRINIC	160.19.96.0 - 160.19.103.255
9/1/16	AFRINIC	160.20.24.0 - 160.20.31.255
9/1/16	APNIC	160.19.48.0 - 160.19.55.255
9/1/16	APNIC	160.20.40.0 - 160.20.47.255
9/1/16	APNIC	160.202.8.0 - 160.202.15.255
9/1/16	APNIC	162.12.240.0 - 162.12.247.255
9/1/16	APNIC	192.144.80.0 - 192.144.95.255
9/1/16	APNIC	216.250.96.0 - 216.250.111.255
9/1/16	ARIN	160.19.0.0 - 160.19.15.255
9/1/16	ARIN	160.19.24.0 - 160.19.31.255
9/1/16	ARIN	160.20.232.0 - 160.20.239.255
9/1/16	ARIN	207.115.112.0 - 207.115.127.255
9/1/16	ARIN	74.91.48.0 - 74.91.63.255
9/1/16	LACNIC	160.19.240.0 - 160.19.255.255
9/1/16	LACNIC	160.20.64.0 - 160.20.71.255
9/1/16	LACNIC	160.238.104.0 - 160.238.111.255
9/1/16	LACNIC	192.140.8.0 - 192.140.15.255
9/1/16	LACNIC	192.144.64.0 - 192.144.71.255
9/1/16	LACNIC	216.98.208.0 - 216.98.223.255
9/1/16	RIPE NCC	160.20.144.0 - 160.20.159.255
9/1/16	RIPE NCC	160.20.96.0 - 160.20.103.255
9/1/16	RIPE NCC	160.202.16.0 - 160.202.31.255
9/1/16	RIPE NCC	160.238.112.0 - 160.238.127.255
9/1/16	RIPE NCC	162.12.200.0 - 162.12.207.255

IPv4 Recovered Pool Allocation



If we do not receive additional returned addresses, the last allocation from the recovered pool will take place in March 2019.

Thank you!

